

the first and second processors in
the first and second nodes may
be used to process data in
the first and second nodes.

100

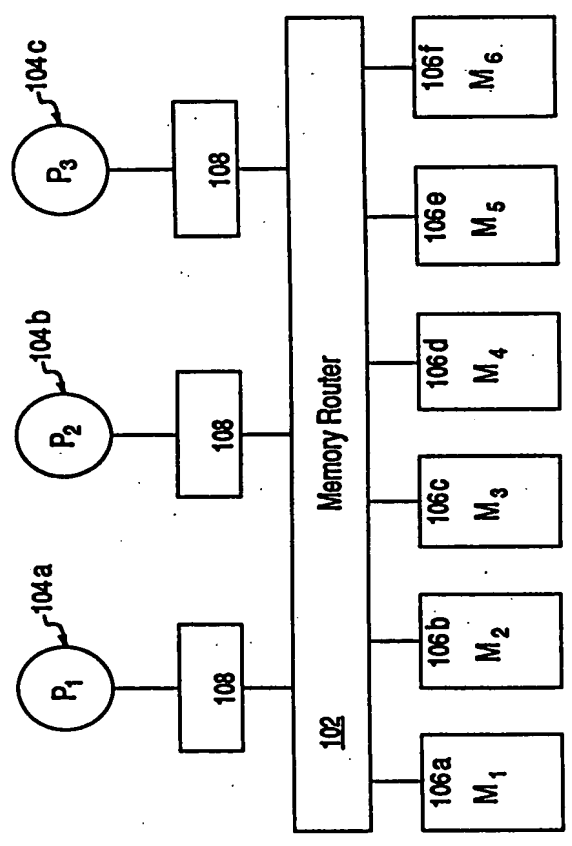


Fig. 1

700a

	M ₁	M ₂	M ₃	M ₄	M ₅	M ₆
P ₁	R/W	R/W				
P ₂			R/W	R/W		
P ₃					R/W	R/W

Fig. 2

"P. 2000" 2000000000

200b

	M ₁	M ₂	M ₃	M ₄	M ₅	M ₆
P ₁	RW	RW	RW	RW	RW	
P ₂	RW	RW	RW	RW	RW	
P ₃					R	RW

Fig. 3

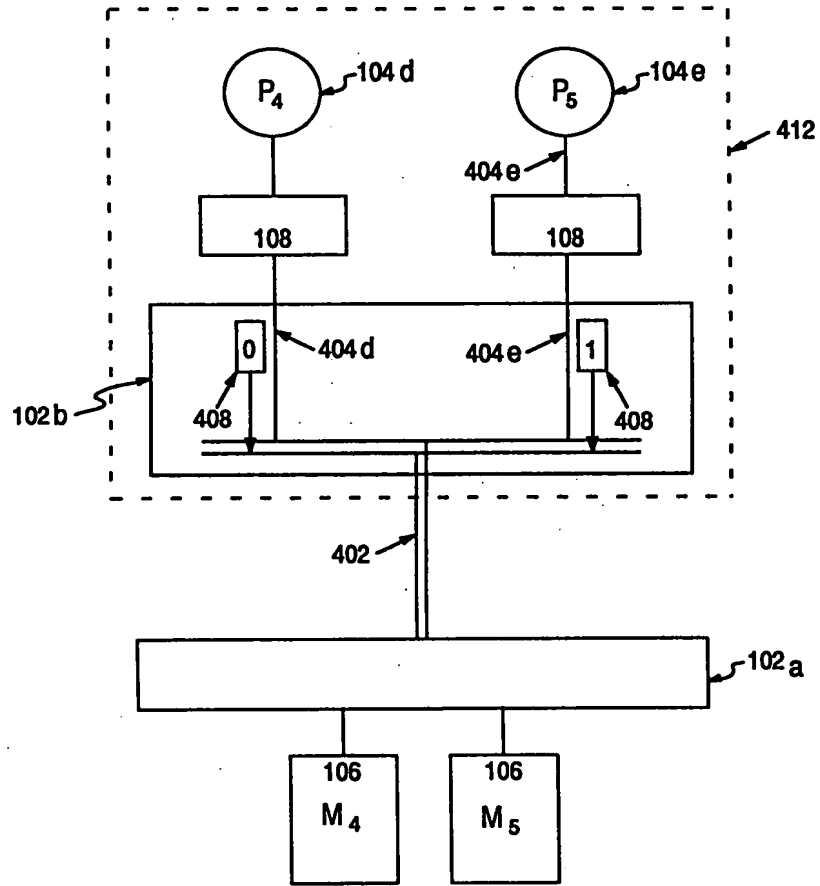


Fig. 4

517

700c

	M ₄	M ₅
P ₄	R/W	
P ₅		R/W

Fig. 5

Vertical text on the left margin, likely a page number or reference code.

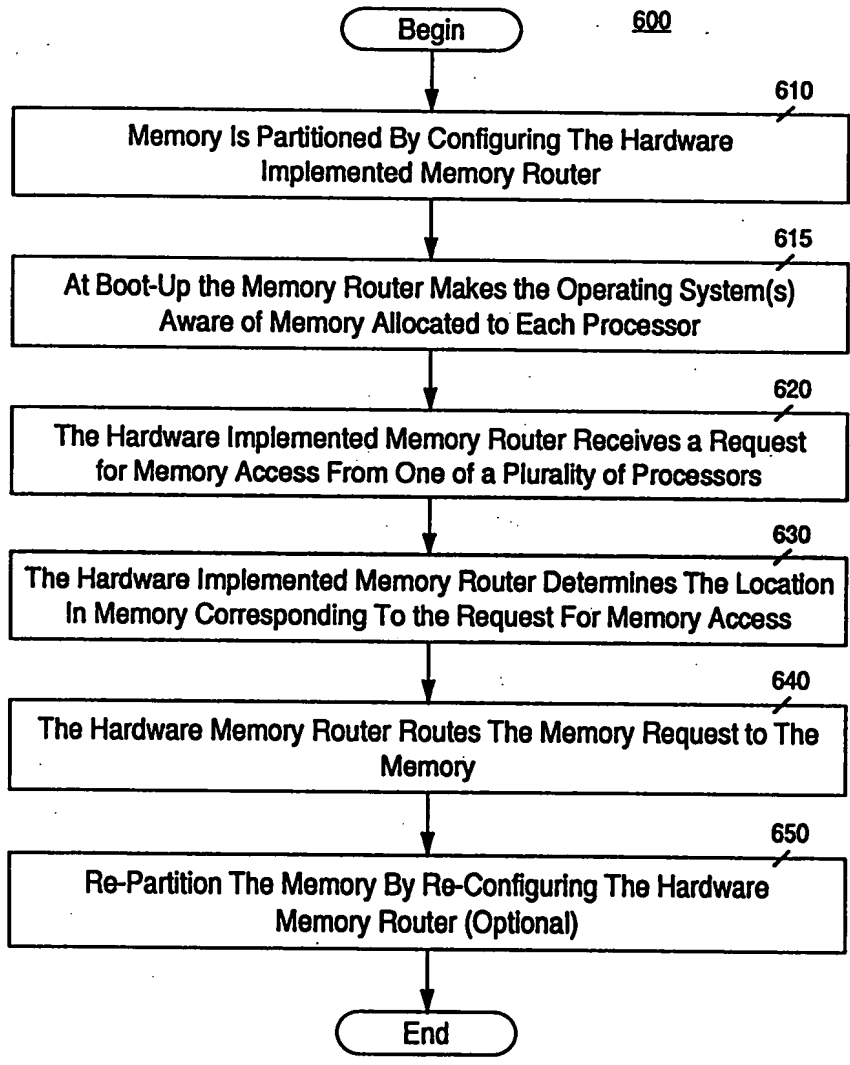


Fig. 6

717

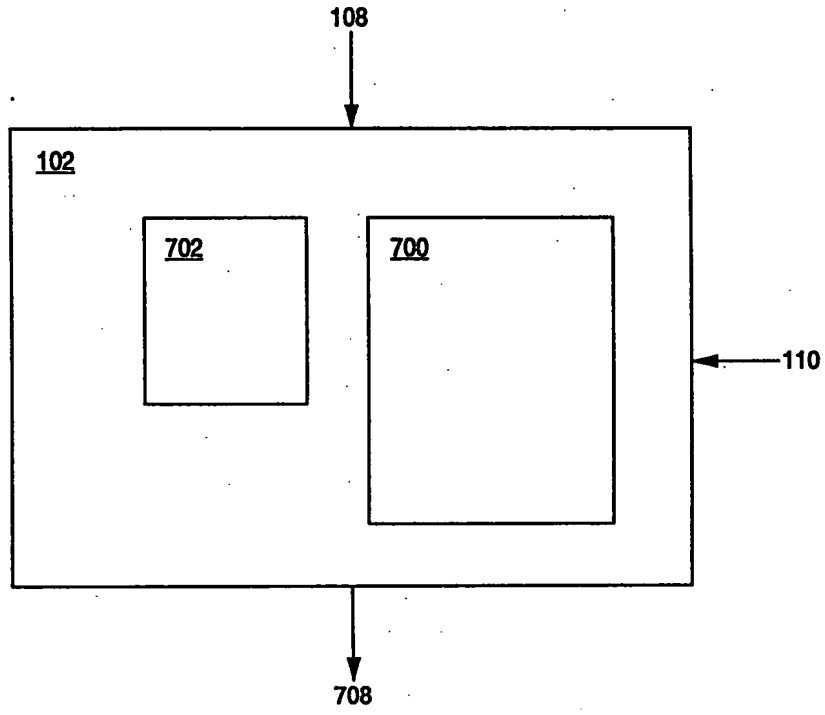


Fig. 7